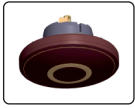


Operating Instructions



Efficiencia
NEO+

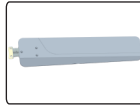
PACKAGE CONTENTS



Motor with
PCB Controller (1 N)



Canopy Set (1 N)



Blade set (1 N)
containing Blades (3 N)



Shackle Kit (1 N)



Remote
(1 N)



Battery (AAA)
(2 N)




Down-rod (1 N)

Remote Pairing Instruction:

NOTE: Remote supplied along with fan is already paired with your fan.

Follow below pairing instructions if your fan remote or PCB is changed.

Following steps have to be executed in correct sequence and all steps should be done within 10 secs total.

1. Power  fan, from the main supply.
2. Press the OFF button on the remote once.
3. Press the Fan Speed 1 button on the remote once.

Successful pairing will be confirmed by two beeps from the Fan.

Note: If pairing fails repeat the steps after powering OFF the fan from the mains.

Remote Un-Pairing Instruction:

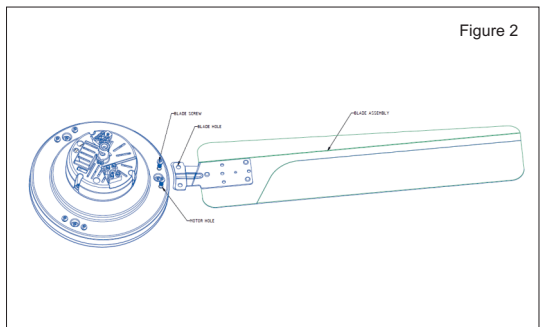
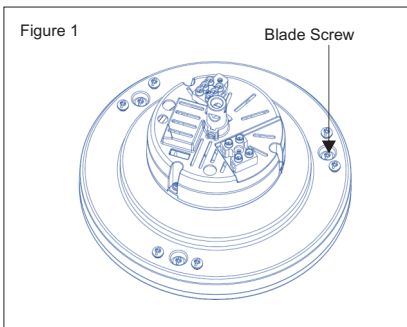
To un-pair the unwanted remote, repeat the complete pairing process two times on the remote you want to keep using, with minimum 1 minute time between first and second pairing. The unwanted remote will be automatically unpaired.

Fan Installation:

Blade Installation (Figure 1 & 2)

1. Unfasten blade screw from Blade.
2. Align the blade holes with motor holes and fasten the blade screws securely.

IMPORTANT : While tightening the blade screws on motor, ensure that blade profile is not damaged.



Installation of Fan with downrod

The following instructions and methods are to be followed.

1. Remove the downrod cap from downrod and slide the bottom canopy over the downrod and then slide top canopy from topside.
2. Pass the Power supply & earthing wires (to be installed by customer at their end) through the downrod from top side holes and pull the wires from slit hole of the downrod.
3. Remove the split pin, hex nut, lock nut, spring washer, aluminium spacers from the bolt assembly supplied with the shackle assembly (Figure 3). Remove the safety/earthing screw on the shaft and keep it securely
4. Slide the downrod (from split end side) over the shaft. Align the cross holes on the downrod and the shaft.
5. Now use one Aluminium spacer on each side of the down rod for gripping and insert the bolt, place the spring washer and tighten the hex nut and the lock nut and tighten them fully, holding the bolt head with a spanner.
6. Ensure that this bolt is fully tighten. Insert the split pin and separate the projected ends.
7. Fix the earthing wire to safety/earthing screw and tighten the safety screw to shaft over down rod which was removed previously
8. The shackle assembly provided has hex bolt with hex nuts, lock nuts and split pins. When hanging the fan on the hanger the hex bolts should be securely tightened with hex nuts & lock nut.
9. The split pins should be securely replaced in their place as shown in, assembled and exploded views (Figure 3 & Figure 4)

Figure 3

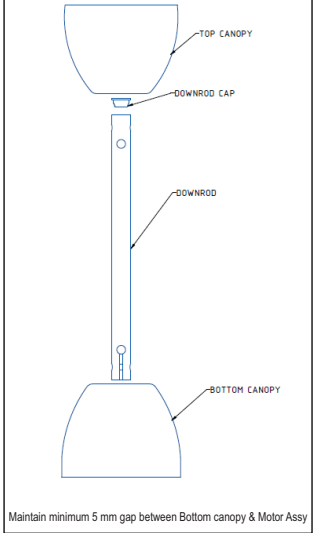
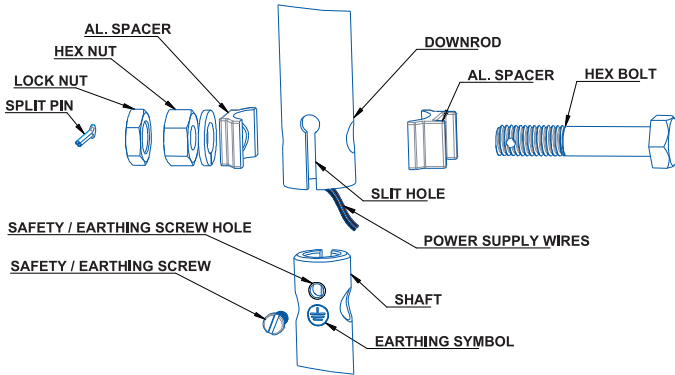
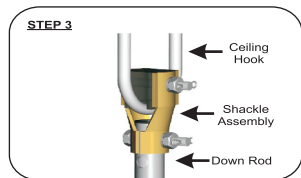
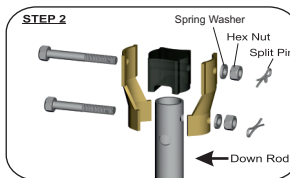
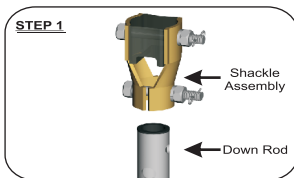


Figure 4



For Installation of Fan with Ceiling Hook:

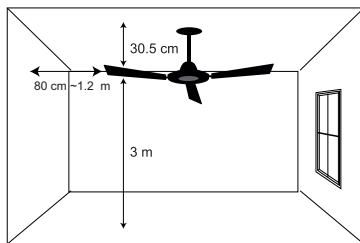
1. Steps to mount fan on ceiling hook as shown below.



CAUTION : Damage to Down-rod & bolt due to loose fitment will not be covered under warranty.

Installation Guideline for Better Performance:

- To optimize the Air delivery, ceiling fan should be approx. 3 m from the Ground level and 30.5 cm below the ceiling.
- Remote Maximum Range in all direction is 3 m (with good battery condition) This range may vary if there are obstructions between remote and fan.
- Keep Minimum 80 cm ~ 1.2 m distance b/w blade tip and side walls.



Selection Guide:

- Ceiling Fan recommended sweep for different room sizes:

Model Size	Sweep / size (mm)	Suitable for room size
Ceiling Fan	600 mm	For Small Shops, Cabins & Toilets
Ceiling Fan	750 mm	1.8 m x 3 m
Ceiling Fan	900 mm	2.1 m x 3 m
Ceiling Fan	1050 mm	3 m x 3 m
Ceiling Fan	1200 mm	3.6 m x 3.9 m
Ceiling Fan	1400 mm	4.2 m x 4.8 m

Remote Operating Function:

1. Power ON/OFF:

Press Button to switch ON and switch OFF the fan.

2. 1, 2, 3, 4 & 5: Press the desired button for their respective Fan speed.

3. Press the "Timer" Button to set Timer setting & Selected LED Will illuminate for 5 seconds i.e. Fan will work on the set timer before Powering OFF automatically.

• 2 h : to set Timer for 2 hours.

• 4 h : to set Timer for 4 hours.

• 6 h : to set Timer for 6 hours.

• 8 h : to set Timer for 8 hours.

4. Mode : Breeze / Mop / Sleep / Boost

• Press button to select/deselect respective Mode, selected LED icon will illuminate for 5 seconds

• Breeze mode Fan speed varies from set speed after every 30 seconds.

i.e. fan speed increases progressively upto max speed, then decreases progressively upto minimum speed in loop

• Mop mode Fan speed run at 5th speed for 3 minutes

• Sleep mode Fan speed will be reduced to lower speed level after every 90 minutes till speed 1 and continuous run at speed 1 afterwards

• Boost mode Fan will operate on its max speed



Memory Backup

In case power trips OFF & ON. No need to get up and set the speed again. Last Fan status will be saved in Fan.

NOTE:

- Use AAA Battery (2 N) available in box. In case battery is drained , use AAA Battery (2 N) of preferred brand
- PCB failure in the circuit due to external regulator will not be covered under warranty.
- Wall Mount Regulator should be disconnected for fan safety and better performance.
- Minor reverse rotation/lag when the fan starts, is a normal phenomenon in BLDC Fans, it's not a defect.
- To deactivate Fan modes (Breeze, Mop, Sleep & Boost) press any speed control button or any other mode button on Remote.
- After Power cutoff and resume, Modes & Timer will be reset/deactivate.

Troubleshooting:

Problem

A. Fan does not start

Solution

1. Check circuit fuses or breakers.

2. Check line wire connections of the fan.

Caution: Make sure Main power is OFF.

B. Fan sounds Noisy

1. Make sure all motor housing screw are snug.

2. Make sure the screws that attach the fan blade to the motor hub is tight.

3. Make sure there is a gap between Top Canopy and Ceiling.

C. Fan Wobbles

1. Don't connect the fan with wall mounted External Regulator.

2. Ensure all blades are of same numerical code.

D. Remote Sensing is poor

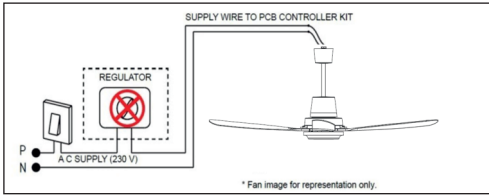
1. Change old battery with new.

2. Please ensure the remote is directed towards the fan.

Warning:

1. Do not damage the blade while installing or cleaning the fan.
2. Do not insert foreign objects between rotating fan blades.
3. Tighten the ceiling plate separately with screw in ceiling.
4. Tighten the safety screw & down rod bolt properly and lock with lock nut & split pin.

Wiring Diagram:



Note: Do not to use external "Regulator".

E-WASTE DISPOSAL

Environmental Compliances:

As per the rules laid down by the Government for environmental concern & safety, your product has been made to comply and conform to the respective regulation as listed below. This product falls under the E-WASTE (MANAGEMENT) RULES, 2022 with all amendments of Ministry of Environment, Forest & Climate Change.

RoHS Declaration:



This Product is in conformity with requirements of Rule 16 of the E-WASTE (MANAGEMENT) RULES, 2022 with all amendments. The content of hazardous substances with the exemption of the applications listed in SCHEDULE II of the E-Waste (Management) Rules, 2022 with all amendments is as follows:

- Lead (Pb): not over 0.1% by weight;
- Mercury (Hg): not over 0.1% by weight;
- Cadmium (Cd): not over 0.01% by weight;
- Hexavalent Chromium (Cr6+): not over 0.1% by weight;
- Polybrominated Biphenyls (PBBs): not over 0.1% by weight;
- Polybrominated Diphenyl Ethers (PBDEs): not over 0.1% by weight.

Do's and Don'ts for disposal of product:



1. Do's:

- Always drop your used electrical/electronic products, defective spares or any accessories and packaging materials after the end of their life at the nearest authorized collection point/center.
- Make sure that your electronic products are recycled only by authorized recyclers/dismantlers.
- Segregate the packaging materials according to their respective waste disposal options and sorting for recycling.
- Protect the glass surface of any electronic product to avoid breakage.

2. Don'ts:

- Never dismantle your electronic product yourself.
- Never sell or give E-Waste to informal and unorganized sectors like local scrap dealer/rag pickers.
- Never dump E-Waste in garbage bins or municipal solid waste stream.
- Do not dispose your product as unsorted municipal waste.

For more information on safe disposal, recycling and collection point, visit our website

<https://www.havells.com/en/discover-havells/ewaste-awareness.html>

or write a mail to ewaste@havells.com

Copyright Subsists. Imitation of trade dress, graphics and color scheme of this document is a punishable offence.
Diagrams/figures appearing in this document are for illustration purposes only.
Actual products may vary in colour, design, description and colour combination etc.
Although every effort has been made to ensure accuracy in the compilation of the technical detail within this publication.
Specifications & performance data are constantly changing.



070224/V1

Havells India Ltd.

Corp Office: QRG Towers, 2D, Sector-126, Expressway,
Noida-201304 (U. P.) India Ph. +91-120-4771000

Email : customercare@havells.com, Website: www.havells.com

Customer Care No. 08045 77 1313 (All Connections), 011-4166 0303 (Landline)

Join us on Facebook at www.facebook.com/havells and share your ways to save the planet !

CIN - L31900DL1983PLC016304